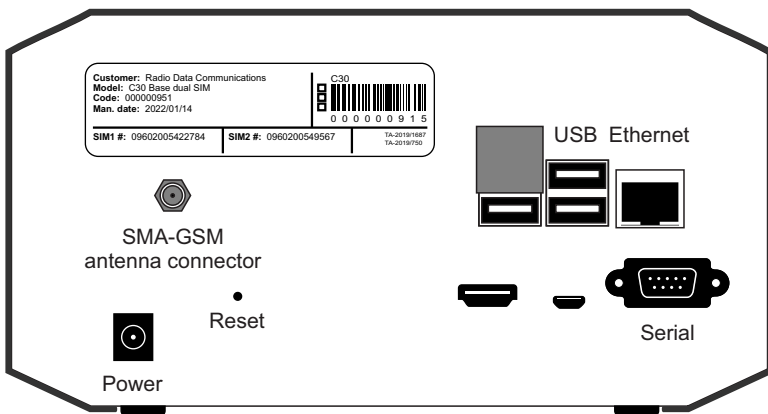
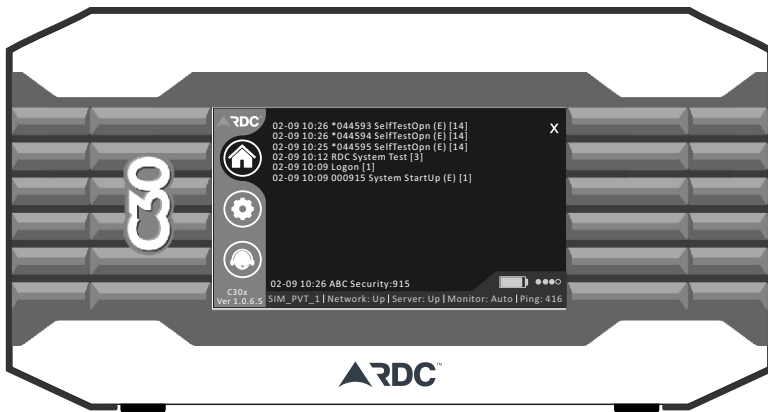


C30

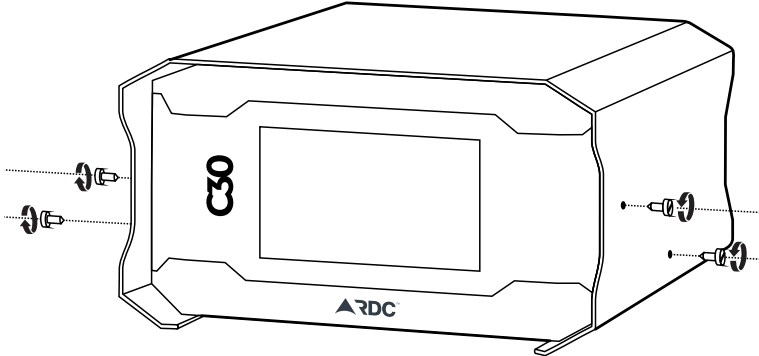
User Manual



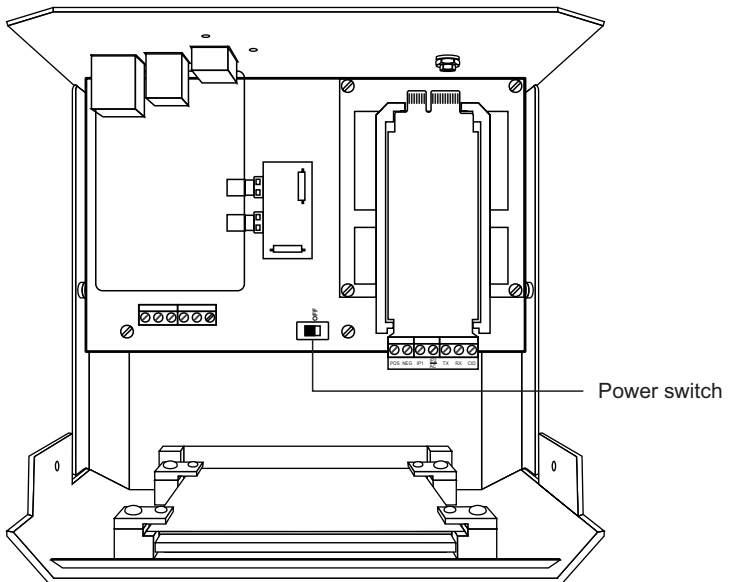
Switching on the unit for the first time

The unit has an internal power switch so that it cannot be accidentally switched on and the batteries discharged during transportation.

1. Unscrew the 4 lid screws as indicated and carefully remove the lid.

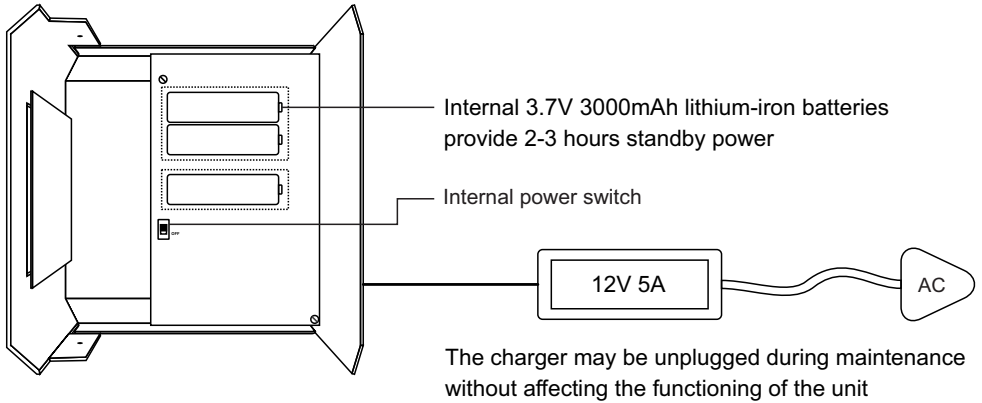


2. Slide the power switch to the on position.



3. Carefully put the lid back into position and replace the 4 lid screws.

Powering the unit

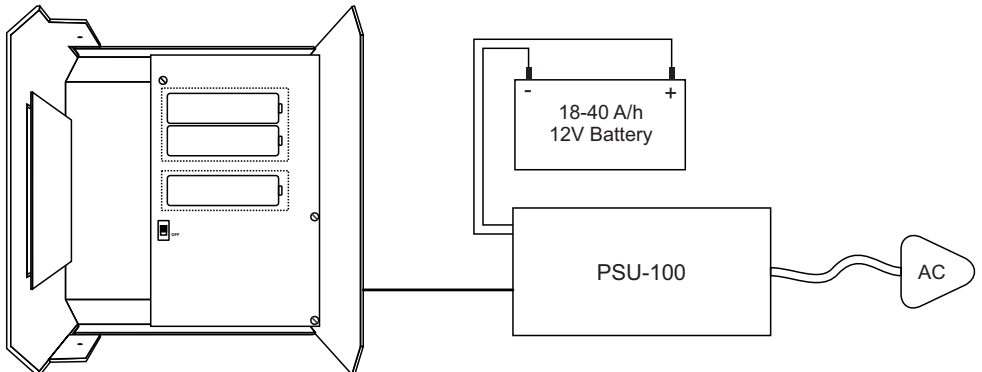


CAUTION

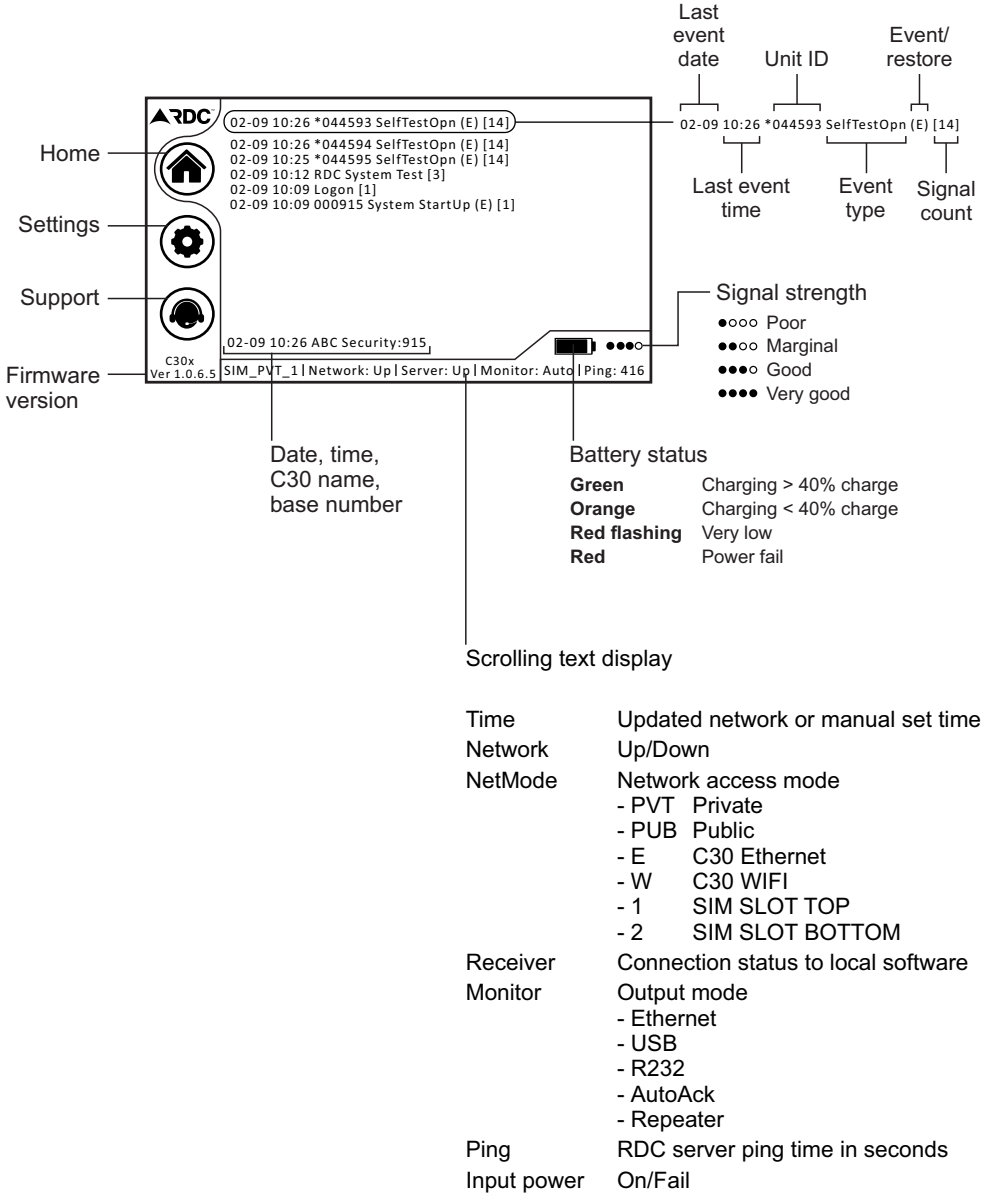
Unit contains industrial grade internal lithium batteries not suitable for consumer use.
Do not expose to or dispose of the unit in fire.
Avoid excessive physical shock or vibration.
Do not disassemble or access the batteries.
Do not attempt to replace the batteries - return to the manufacturer for replacement.
Do not immerse in water.
Do not mix or replace with other different make, type, or model batteries.
Store the unit in a cool, dry and well-ventilated area.
Always dispose of electronic equipment or batteries in accordance with local regulations.

Increasing standby power time

Where more than 2-3 hours of standby power is required, an RDC PSU-100 power supply, with an additional external battery, can be connected to the unit as shown below.



Home display





Settings menu

C30 Name	Home screen display name.
Monitor Protocol	Output protocol.
Data Mode	Selects output port - Ethernet - USB - R232 - AutoAck No output - C30 acknowledges signal data. - Repeater The RS232/USB port is used as an input to repeat data to the RDC server. The server will distribute the data as per server configuration to other C30's/C20's.
Network Source	SIM_PVT RDC private APN SIM. C30_PVT Device connection to RDC private network. SIM_PUB Public SIM. C30_PUB User router via Ethernet/WIFI. C30_SIM_PUB Select public SIM or Ethernet/WIFI router. <i>These options may not be available depending on the setup.</i>
IP Address	C30 IP address.
IP Mask	C30 subnet mask - 8, 16 or 24.
IP Gateway	IP address of the user's router. Net Source is C30_PUB/C30_SIM_PUB/C30_PVT".
Monitor IP Address	IP address of monitoring application when Data Mode is set to Ethernet.
Monitor TCP Port	Port number of monitoring application when Data Mode is set to Ethernet.
Baud Rate	Select serial communication speed to the monitoring computer when data mode is set to USB or RS232 - baud rate 4800, 9600 or 115200.
Send Panel ID	Enable to send PANEL ID instead of unit ID.
Ack Char	Set monitor application acknowledgment character. Use 0x00 format for hexadecimal values or use characters.
Nack Char	Set monitor application not-acknowledgment character. Use 0x00 format for hexadecimal values or use characters.
End Char	Set monitor application end character. Use 0x00 format for hexadecimal values or use characters. For the SUREGAURD_CID protocol output, the input protocol must be VHF or CID to append the end character. The default end character of 0x14 will be sent if it cannot be changed.

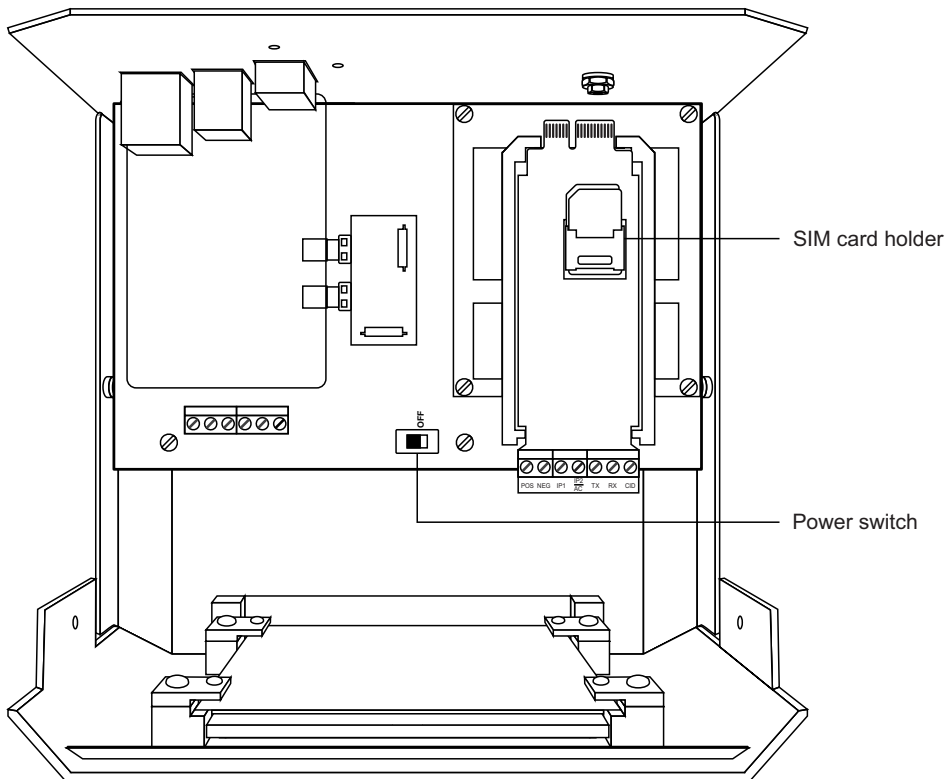
Notification Email Address	Email address for power and battery status notifications.
Power Restore Notifications	None Battery restore AC restore All
Power Fail Notifications	None Battery low AC fail All
Save Button	Save settings and restart.

Support menu

Update	Updates the application. Available update shown at the top of the screen.
Roll Back	Restores the application to the previous version.
Remote Support	If enabled, settings and historic system data can be accessed by RDC to render remote support.
Request Support	Sends unit support data via email to RDC to request assistance.
Call me	Select pre-loaded support reasons before making a support request.
Function Test	<ul style="list-style-type: none"> - IO Tests front panel LEDs where base has no screen. - SIM 1 Displays SIM test information. The lower the DBM value the better. A Green/Blue signal graph is desired. - SIM 2 Displays SIM test information. The lower the DBM value the better. A Green/Blue signal graph is desired. - BMS Displays Battery management system data. - SERIAL Sends a test signal out on the USB and RS232 ports to the monitoring computer. An acknowledgement from the monitoring software is expected back. The serial ports may also be looped by using a USB converter or mini USB cable from the C30 USB ports to the serial port to be tested. - CLEAR Clears displayed data.
Show System Data	Displays a general summary of settings and data for support purposes.

Swapping a faulty live base with a backup unit

1. Note the cables and connections to the live base before disconnecting it.
2. Unscrew the 4 lid screws and carefully remove the lid.
3. Switch the internal power switch to the off position.
4. Remove the SIM card/s from the SIM card holder.
5. Carefully replace the lid and screws.
6. Send the unit to RDC without delay for servicing.



7. Unscrew the 4 lid screws and remove the lid from the backup C30 unit.
8. Ensure that the internal power switch is in the off position.
9. Insert the SIM card/s from the live unit into the SIM card holder of the backup unit.
10. Switch the internal power switch to the on position.
11. Carefully put the lid back into position and replace the 4 lid screws.
12. Connect the backup base into position for live operation.

Website	www.radiodata.co.za
Switchboard	+27 11 452 1471
What3words	havens.outwit.bets
Physical address	1st floor, Senet House, 157 van Riebeeck Ave, Edenvale S: 26° 07' 791
Sales	sales@radiodata.co.za
Managing Director	Brent Andreka brent.a@radiodata.co.za

Copyright © 2022
Radio Data Communications (PTY) Ltd.

**NB: Please read GSM Warnings and General Trading Terms and Conditions
(including an indemnity) at www.radiodata.co.za**

24hr Standby 082 444 7176