

Programming steps to the IDS 805 Control panel working in conjunction to RDC transmitters.

Connecting the transmitter to the panel:

Connect the R (RING) wire to the transmitter negative. Connect the T (TIP) wire to the transmitter CID connection. Power the transmitter directly from the battery.

Entering programming:

Press * and then installer code 9 9 9 9 (default)

Programming the communicator:

1st Telephone number

Press 43 * 1 * This is the 1st digit of the tel. no.

Press 44 * 2 * This is the 2nd digit of the tel. no.

Press 45 * 3 * This is the 3rd digit of the tel. no.

Press 46 * 4 * This is the 4th digit of the tel. no.

Communicator format

Press 47 * 6 * This is to select contact ID protocol

Account code

Press 48 * 1 * This is the 1st digit of the Account. no.

Press 49 * 2 * This is the 2nd digit of the Account. no.

Press 50 * 3 * This is the 3rd digit of the Account. no.

Press 51 * 4 * This is the 4th digit of the Account. no.

Programming zone arming and disarming:

(Note that Zone 8 has been used as an example)

Go into programming

Press 8 * This is for selecting zone 8

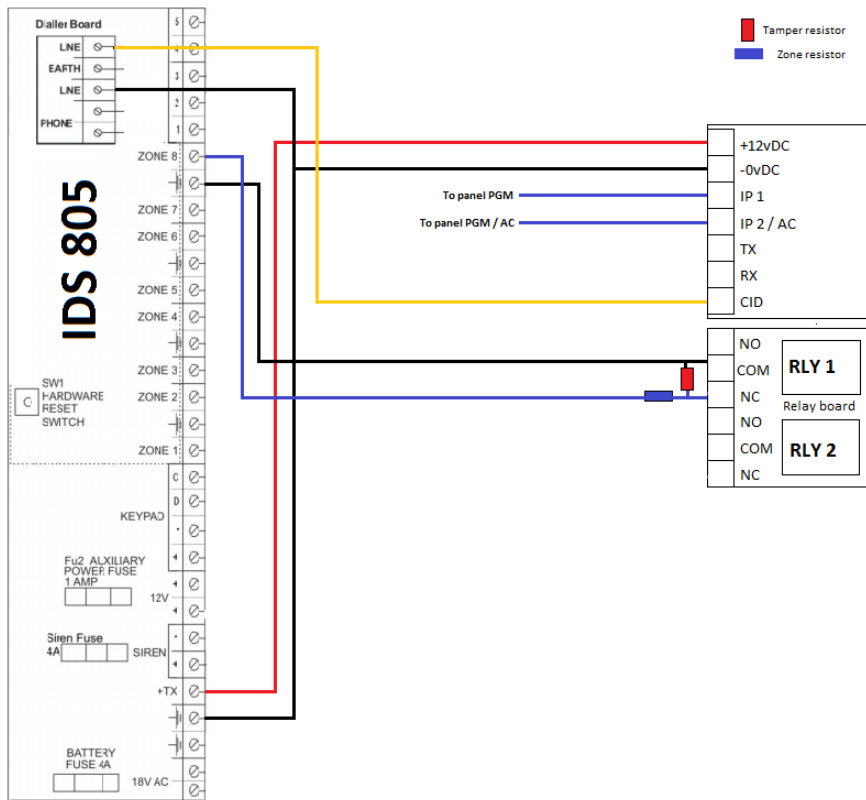
Press 5 * This to select the zone option for key switch arming/disarming.

Note that the exit delay need not to be programmed as this will instantly arm the system in away mode

To exit and save programming:

Press ###

DEOL Wiring



SEOL Wiring

