

Programming steps to the BOSCH Solution 6000 Control panel working in conjunction to RDC transmitters.

Connecting the transmitter to the panel:

Connect the R (RING) wire to the transmitter negative. Connect the T (TIP) wire to the transmitter CID connection. Power the transmitter directly from the battery.

Entering programming:

Press 1 2 3 4 and MENU

Programming the communicator:

(Use the up, down, left and right arrows, OK and MENU to go to the selections)

Go to M5 COMMS and press OK

Go to M51 Telephone number and press OK

Go to M511 select Destination 1 and press OK

Press 1 2 3 4 and OK

Go to M52 Properties and press OK

Go to M521 Dialler options and press OK

To enable the dialler press ON and OK

Go to M54 Reporting and press OK

Go to M540 TX Format Destination 1

Select 01 for Contact ID PSTN

Programming zone arming and disarming:

(Note that Zone 7 locations has been used as an example)

Go to M3 Inputs and press OK

Go to M31 Zone properties and press OK

Go to M311 Zone type and press OK

Go to zone 7 and press OK

Go to 13 for key switch zone and press OK

Go to M2 Areas and press OK

Go to M28 Exit time

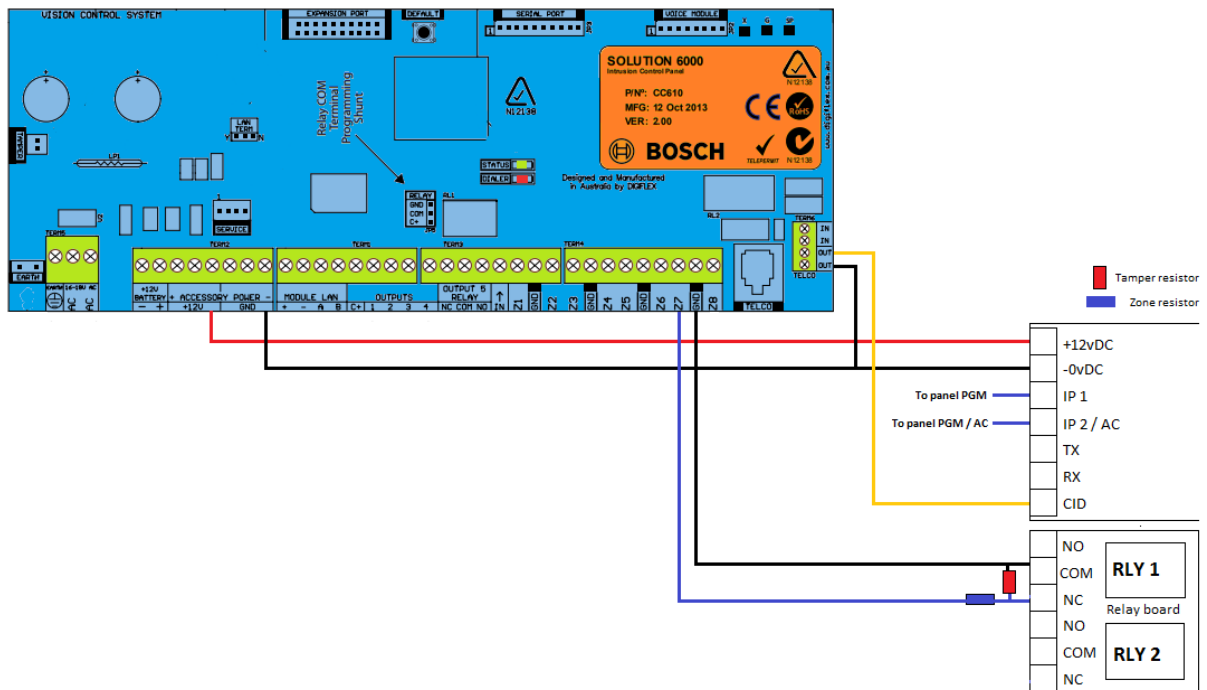
Go to A1 Security System and press OK

Press 000 for setting the time delay to 0 seconds

For the panel to instantly arm via the key switch zone, the exit delay time should be set to 0 seconds and the resistor connected to the zone should be in series on the relay N/C connections.

Press MENU and scroll to EXIT and press OK to save and exit programming.

DEOL Wiring



SEOL Wiring

